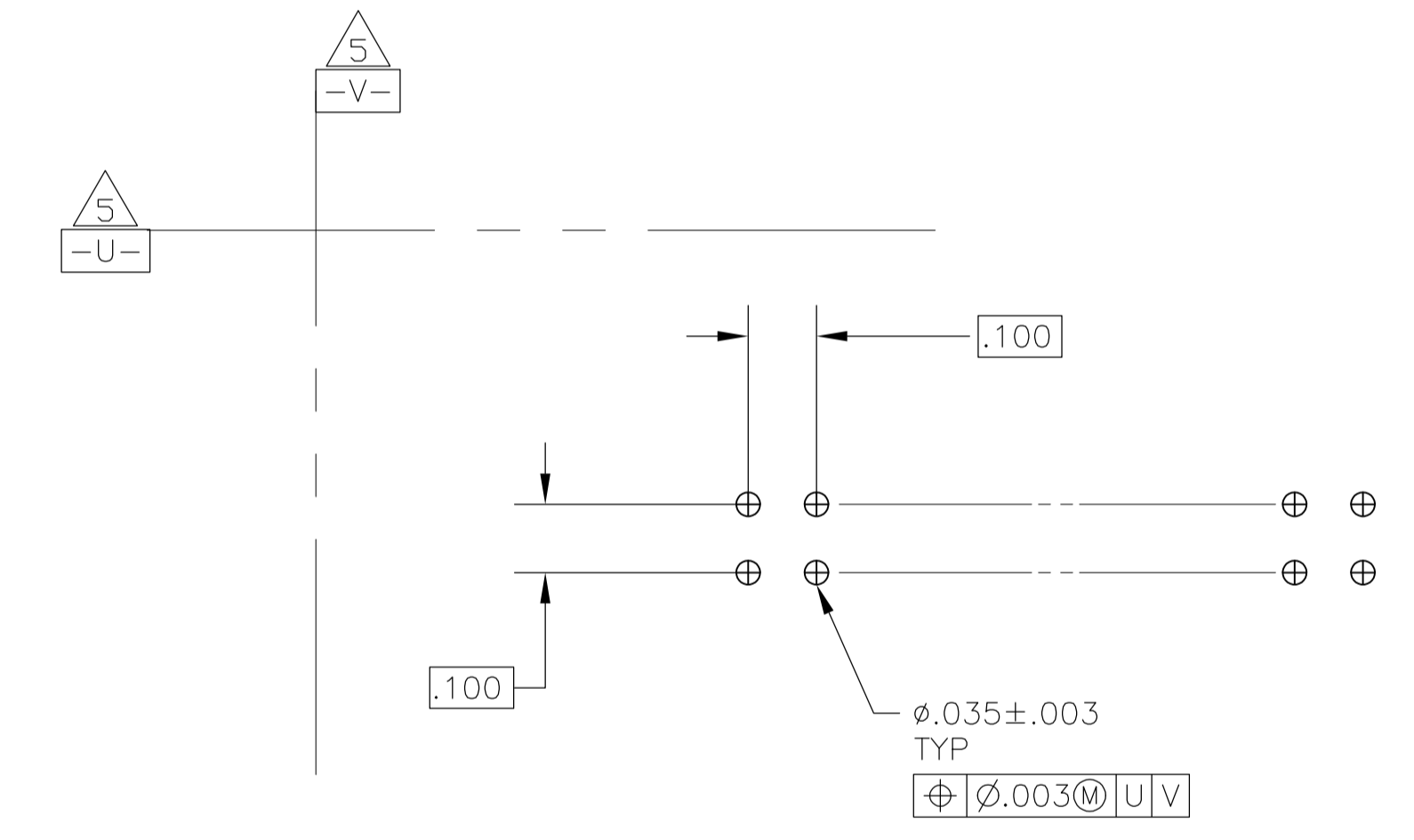
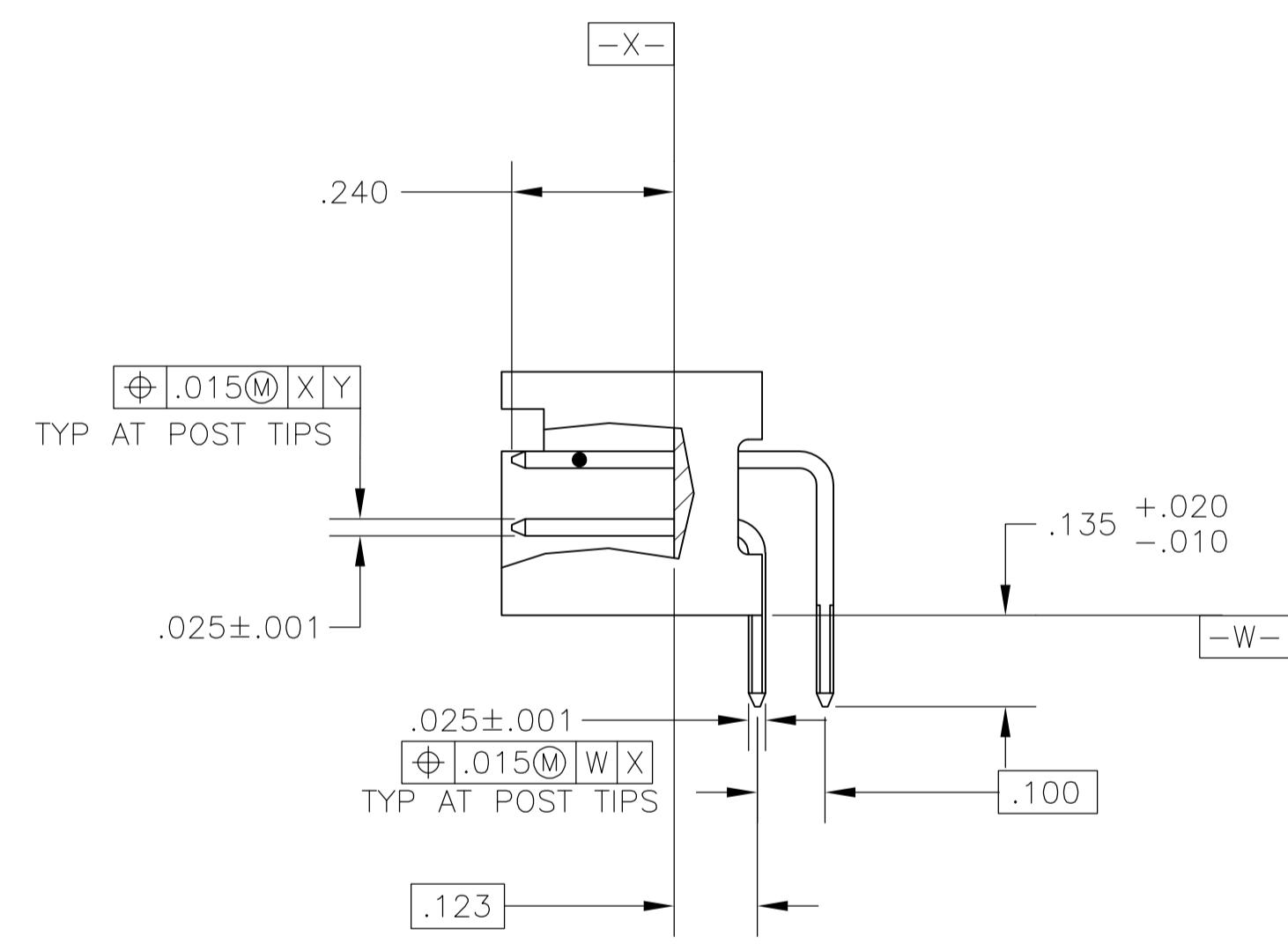
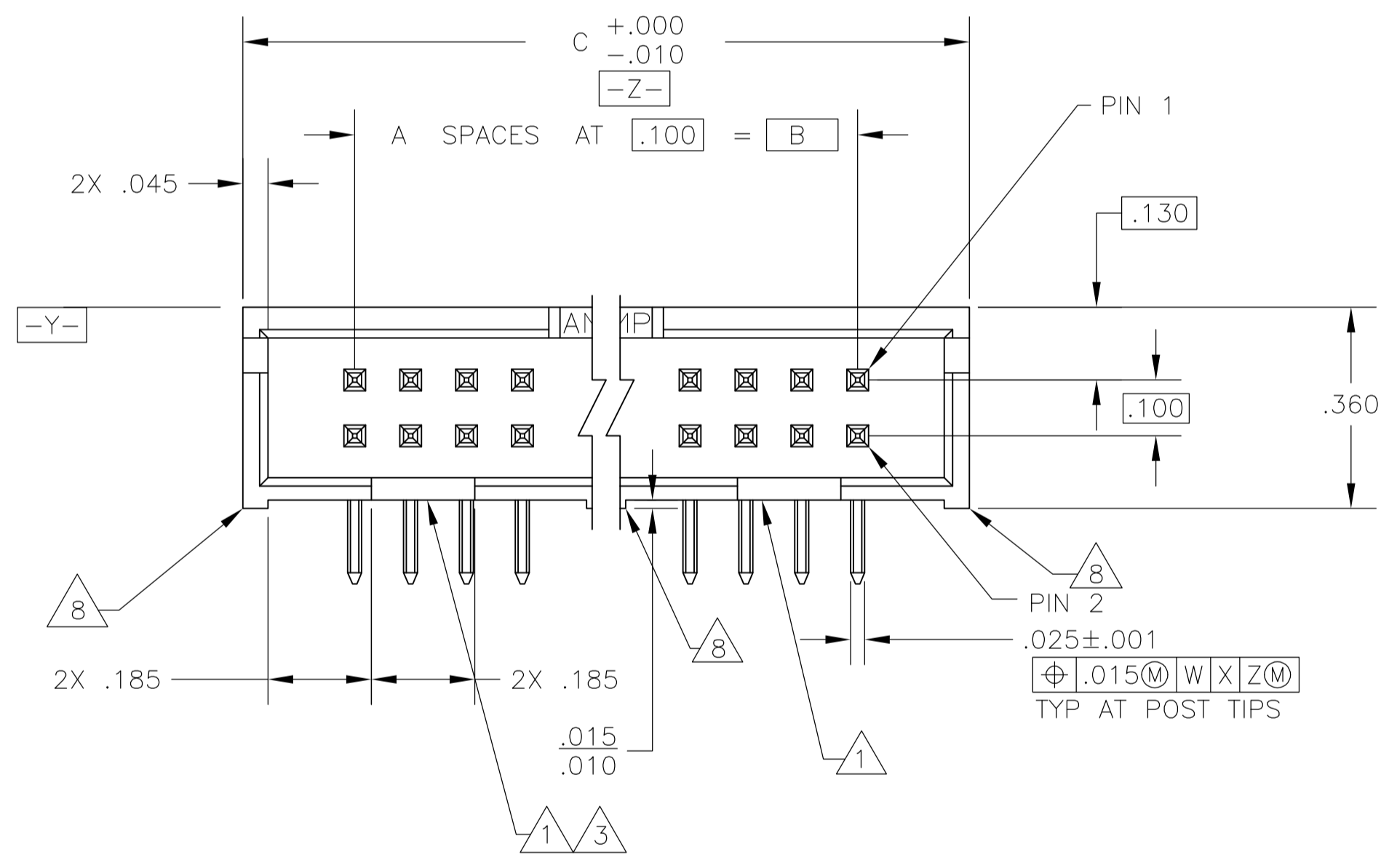
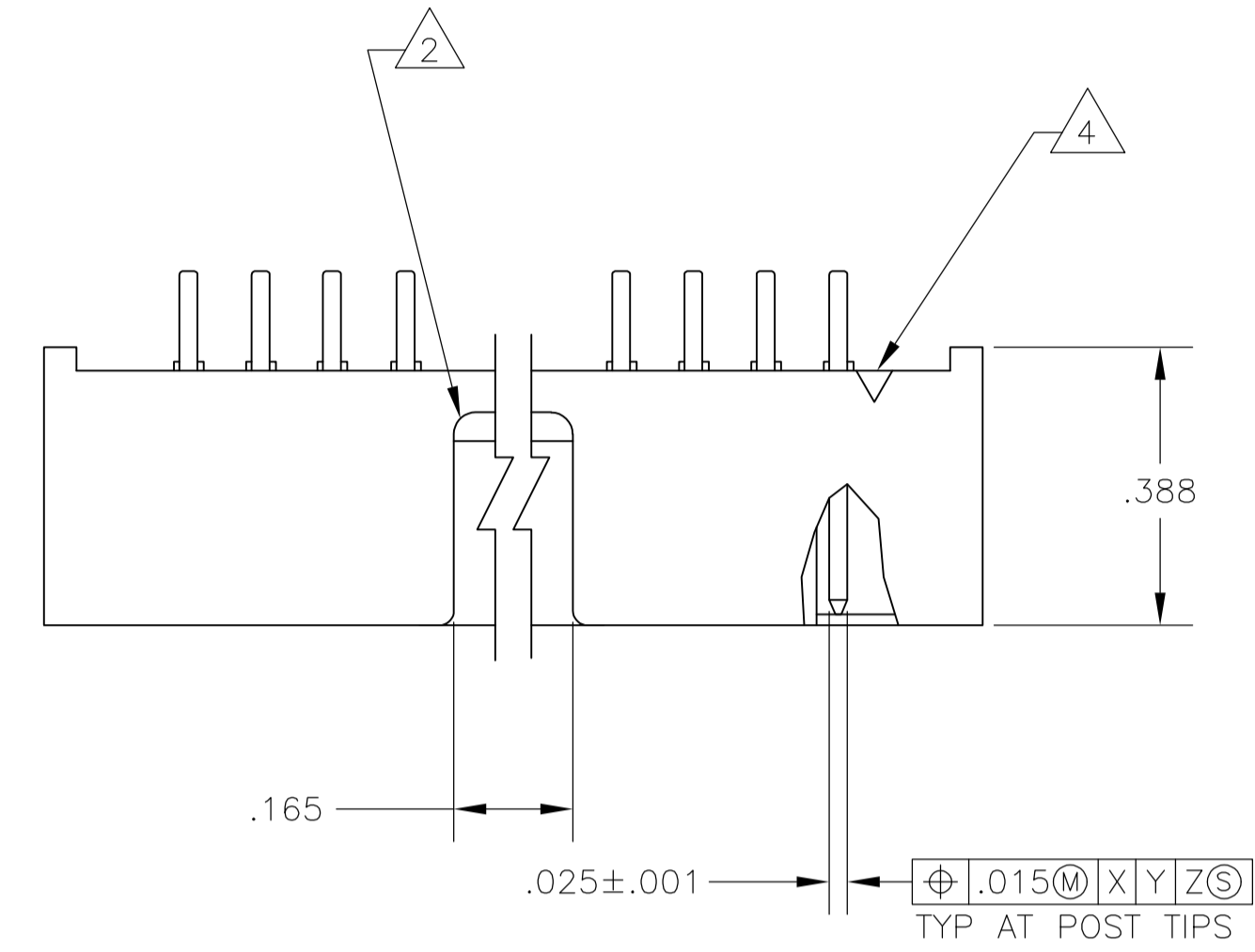


- 1 DOUBLE BAR POLARIZATION SLOTS.
- 2 CENTER POLARIZATION SLOT.
- 3 FOR 10 POSN ASSEMBLY, SLOT OMITTED IN THIS LOCATION.
- 4 NUMBER 1 POSITION INDICATOR.
- 5 DATUMS U & V TO BE ESTABLISHED BY THE CUSTOMER.
- 6 HOUSING: GLASS FILLED NYLON OR PBT, BLACK, UL 94V-0 RATED. POSTS: BRASS.
- 7 POSTS: GOLD FLASH OVER PALLADIUM-NICKEL PLATE, .000030 MIN TOTAL ON THE MATING SURFACES, .000100 MIN TIN PLATE ON THE SOLDER-TAILS, .000050 MIN NICKEL UNDERPLATE ON THE ENTIRE POST.  
-OR-  
.000030 MIN GOLD PLATE ON THE MATING SURFACES, .000100 MIN TIN PLATE ON THE SOLDER-TAILS, .000050 MIN NICKEL UNDERPLATE ON THE ENTIRE POST.
- 8 STANDOFFS: ALL POSITION SIZES- 2 LOCATED AT ENDS OF HOUSING. 20 THRU 34 POSITION SIZES-1 ADDITIONAL STANDOFF CENTERED ON HOUSING. 40 THRU 60 POSITION SIZES- 2 ADDITIONAL STANDOFFS EVENLY SPACED WITHIN REMAINING LENGTH OF HOUSING.



RECOMMENDED PCB LAYOUT

|       |       |    |            |             |
|-------|-------|----|------------|-------------|
| 3.300 | 2.900 | 29 | 60         | 1-5103311-2 |
| 2.800 | 2.400 | 24 | 50         | 1-5103311-0 |
| 2.500 | 2.100 | 21 | 44         | 5103311-9   |
| 2.300 | 1.900 | 19 | 40         | 5103311-8   |
| 2.000 | 1.600 | 16 | 34         | 5103311-7   |
| 1.600 | 1.200 | 12 | 26         | 5103311-6   |
| 1.300 | .900  | 9  | 20         | 5103311-5   |
| 1.100 | .700  | 7  | 16         | 5103311-3   |
| 1.000 | .600  | 6  | 14         | 5103311-2   |
| .800  | .400  | 4  | 10         | 5103311-1   |
| C     | B     | A  | NO OF POSN | PART NUMBER |

THIS DRAWING IS A CONTROLLED DOCUMENT.

|   |  |   |           |                 |              |                  |            |
|---|--|---|-----------|-----------------|--------------|------------------|------------|
| DIMENSIONS: INCHES  | TOLERANCES UNLESS OTHERWISE SPECIFIED: | 0 PLC ± -   | 1 PLC ± - | 2 PLC ± -       | 3 PLC ± .005 | 4 PLC ± -        | ANGLES ± - |
| DTN B. LATTUCA 03 NOV 05<br>CHK S. BOLASH 03 NOV 05<br>APVD M. WALMSLEY 03 NOV 05<br>NAME M. WALMSLEY<br>PRODUCT SPEC 108-40018<br>APPLICATION SPEC - |  | SIZE A1<br>CAGE CODE 00779<br>DRAWING NO. 5103311 |           | RESTRICTED TO - |              |                  |            |
| MATERIAL 6  |  | FINISH 7  |           | WEIGHT -        |              | CUSTOMER DRAWING |            |

SCALE 4:1 SHEET 1 OF 1 REV F1